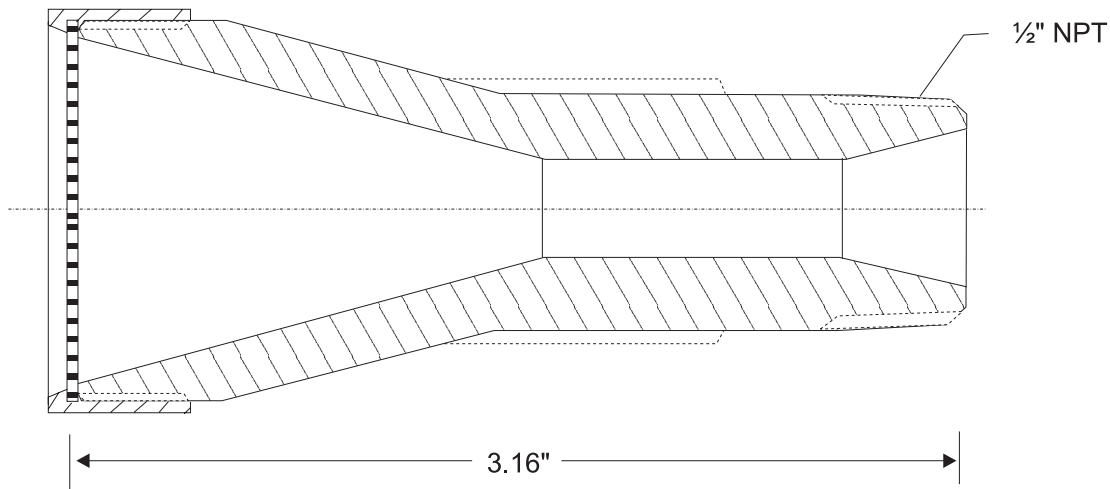


Industrial Dry Chemical

Low-Overhead Nozzle

Effective: April 1999

K-83-009



Low-Overhead nozzles are designed to discharge a solid cone of dry chemical down onto a protected area from a fixed location above the protected area.

The low-overhead nozzle uses a screen at the nozzle outlet to reduce the velocity of the dry chemical discharge. This allows the nozzle to be positioned closer to the surface of a flammable liquid.

P/N: 844258

This literature is provided for informational purposes only. KIDDE-FENWAL, INC. assumes no responsibility for the product's suitability for a particular application. The product must be properly applied to perform as described herein.

If you need more information on this product, or if you have a question, contact KIDDE-FENWAL, INC., Ashland, MA 01721. (508) 881-2000.

K-83-009 4/99 ©1999 Kidde-Fenwal, Inc. Printed in U.S.A.

 **KIDDE**[®]
Fire Systems

KIDDE-FENWAL, INC.
400 MAIN STREET, ASHLAND, MA 01721
TEL: (508) 881-2000 FAX: (508) 881-8920