



January 18, 2002

DN-3198 • D-120

LCD-80 and LCD-80TM Liquid Crystal Displays

Section: Annunciator Control Systems

GENERAL

The **LCD-80** is an 80-character, backlit LCD display annunciator for the NOTIFIER AM2020, AFP1010, NFS-640, AFC-600, AFP-400, AFP-300, AFP-200, System 5000, and System 500 fire alarm control panels. Up to 32 LCD-80s may be connected onto the two-wire EIA-485 port. The LCD-80 has two basic modes of operation, "Terminal" and "ACS" mode.

The **LCD-80TM** shares all the features of the LCD-80, but only utilizes "Terminal" mode, where it mimics the panel display.

COMMON FEATURES

- 80-character Liquid Crystal Display (20 characters x 4 lines), backlit.
- Control switches for System Acknowledge, Signal Silence and System Reset.
- Time and date display field.
- Enable Key switch and phone jack options.
- Can be remotely located up to 6,000 ft. (1828.8 m) from the control panel.
- Local piezo sounder with alarm/trouble resound.
- Flush/surface/panel mount option.
- Optional RPT-485 repeater increases the distance and number of LCD-80s in a system (see *RPT-485 data sheet*).
- Optional transmission over fiber optics (see *RPT-485 data sheet*).

ACS MODE

When operated in "ACS" mode, the LCD-80 provides a remote or local digital display and printer interface for the System 5000 and System 500. For the AM2020, AFP1010, NFS-640, AFC-600, AFP-400, AFP-300, and AFP-200, the LCD-80 provides a vectored annunciation capability. Individual devices/zones can be installer-defined to only display and print at specific locations (*EXAMPLE: A maintenance office receives only non-alarm point activations. These inputs could be sump pump on, high water, backup AHU on, low temperature in freezer, etc.*).

- Alarm/trouble count.
- Custom "normal" message.
- European option: first alarm/last alarm/alarm count.
- Field-programmable messages from CRT or PC-compatible computer (PK-LCD-80 Programming Kit required).
- EIA-485 interface: up to 32 per system.
- Printer output port: RS-232, compatible with PRN Series printers.
- Field-programmable messages in nonvolatile memory in two options: 128 points, 40 character labels; or 256 points, 20 character labels.
- Internal nonvolatile clock for time and date in ACS mode.
- AM2020, AFP1010, NFS-640, AFC-600, AFP-400, and AFP-300 "vectored" printer capability.
- Can be mounted in a System 5000 cabinet module position.



California State Fire Marshal

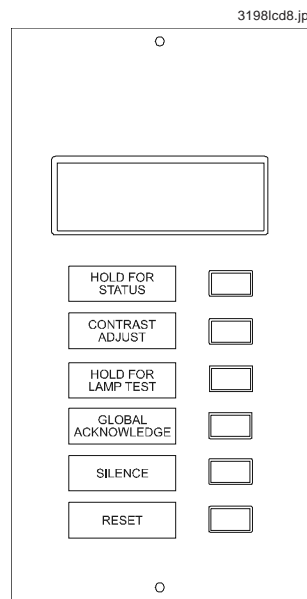
7120-0028:156



(LCD-80, except NFS-640)

MEA

290-91-E (LCD-80)
289-91-E (LCD-80)
104-93-E Vol. III (LCD-80TM)
317-01-E (NFS-640)



LCD-80TM



LCD-80 with ABF-1B

TERMINAL MODE

In "Terminal" mode, the LCD-80 mimics the AM2020, AFP1010, NFS-640, AFC-600, AFP-400, AFP-300 and AFP-200 displays. Up to 32 LCD-80s can annunciate and provide remote reset, acknowledge, and silence of the control panel from remote locations. The DIA-1010 and DIA-2020 (Display Interface) include a Terminal mode driver port for LCD-80s in Terminal mode. The Terminal mode port is standard on the NFS-640, AFC-600, AFP-400, AFP-300, and AFP-200 main PC/CPU boards.

- Displays device type identifiers.
- Device and zone custom alpha labels.
- Time/date and Device address.
- May operate in addition to CRT.
- No programming necessary. LCD-80 displays time, date, and custom messages received from AM2020, AFP1010, NFS-640, AFC-600, AFP-400, AFP-300, or AFP-200.

This document is not intended to be used for installation purposes. We try to keep our product information up-to-date and accurate. We cannot cover all specific applications or anticipate all requirements. All specifications are subject to change without notice. For more information, contact NOTIFIER. Phone: (203) 484-7161 FAX: (203) 484-7118

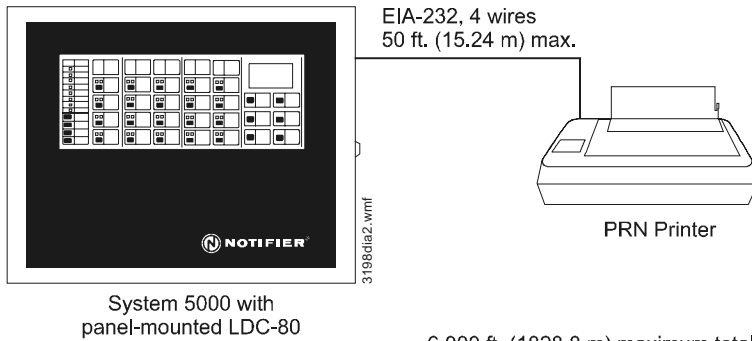


12 Clintonville Road, Northford, Connecticut 06472



Made in the U.S.A.

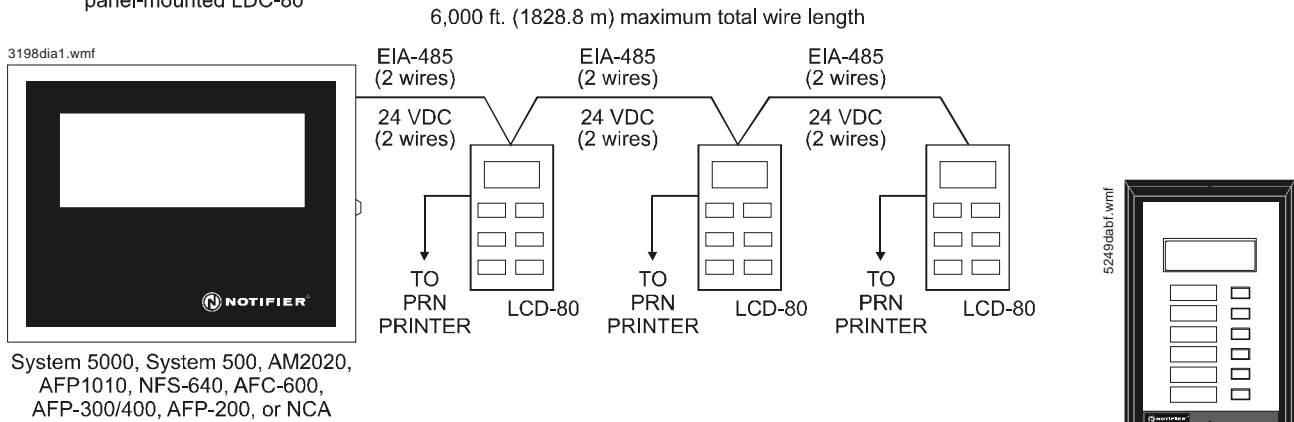
The LCD-80 in ACS Mode



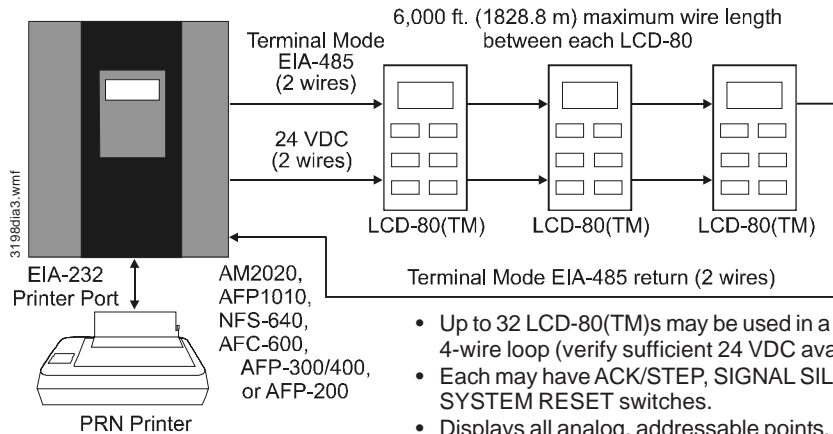
- LCD-80 is 8.25" (20.96 cm) high, 4.375" (11.11 cm) wide, and 1.75" (4.45 cm) deep.
- Up to 32 LCD-80s may be used on one EIA-485 circuit.

NOTE: Must have sufficient regulated 24 volt power. Certain NOTIFIER systems may have limits to the amount of LCD-80s with ACK/STEP, Signal Silence, and Reset switches.

- LCD-80 mounts with any CHS-4 chassis slot.
- The LCD-80 may display all System 5000 circuits. Alternately, it may display up to 192 AIM-200 points and two rows of modules.



The LCD-80 or LCD-80TM in Terminal Mode



ABF-1DB — The ABF-1DB is a semi-flush-mount backbox for the NOTIFIER LCD-80 Series Annunciator. The ABF-1DB mounts one LCD-80(TM). It includes an attractive smoked-glass door with NOTIFIER keylock.

Dimensions, BOX only:
9.938" (25.24 cm) high,
4.625" (11.75 cm) wide,
2.5" (6.35 cm) deep.

Dimensions, DOOR only:
10.713" (27.21 cm) high,
6" (15.24 cm) wide,
0.75" (1.9 cm) deep.

- Up to 32 LCD-80(TM)s may be used in a continuous 4-wire loop (verify sufficient 24 VDC available).
- Each may have ACK/STEP, SIGNAL SILENCE, and SYSTEM RESET switches.
- Displays all analog, addressable points.
- No programming required for LCD-80(TM)s.

RELATED OPTIONS

PK-LCD-80 (order VERIFIRE-CD): Off-Line Programming Kit for LCD-80. Allows PC programming messages when LCD-80 is used in the ACS mode.

CCM-1: Converter Module. Required for terminal mode operation on older AM2020s or AFP1010s that do not include the DIA-2020 or DIA-1010 Display Interfaces. Also required for AM2020 and AFP1010 systems which require a CRT with keyboard. Uses one ICA-4L chassis slot or two CHS-4 chassis slots.

See ACS Series (DN-524) or ONYX™ ACS Series (DN-6862) data sheets for additional information on items below.

ABF-1DB: Semi-flush box with alternative smoked-glass door, any keylock.

ADP-4: Annunciator Dress Plate, gray. Allows panel mounting of up to four LCD-80(TM) modules in a CAB-3 Series cabinet.

ADP-4B: Annunciator Dress Plate, black. Allows panel mounting of up to four LCD-80(TM) modules in a CAB-4 Series cabinet.

ABF-1B: Annunciator Flush Box, 9.938" (25.24 cm) high, 4.625" (11.75 cm) wide, and 2.5" (6.35 cm) deep. Order AKS-1B key switch and APJ-1B phone jack if desired. Can also be mounted in ABF-2B or ABF-4B annunciator backboxes.

ABS-1TB: Deep Surface Backbox (mounts one LCD-80/-80TM).

AKS-1B: Key Switch (black) to enable/disable controls when mounted in ABF or ABS-1TB.

APJ-1B: Annunciator Phone Jack, black. Mounts to ABF flush box or ABS-1TB.

PRN Series: 80-Column Serial Printer (see PRN data sheet).

RPT-485W: EIA-485 Wire Repeater. Increases wire distance between LCD-80s in ACS mode (see RPT-485 data sheet).

RPT-485F: EIA-485 Fiber-Optics Repeater. Increases distance and converts EIA-485 wire to fiber-optics in ACS mode (see RPT-485 data sheet).